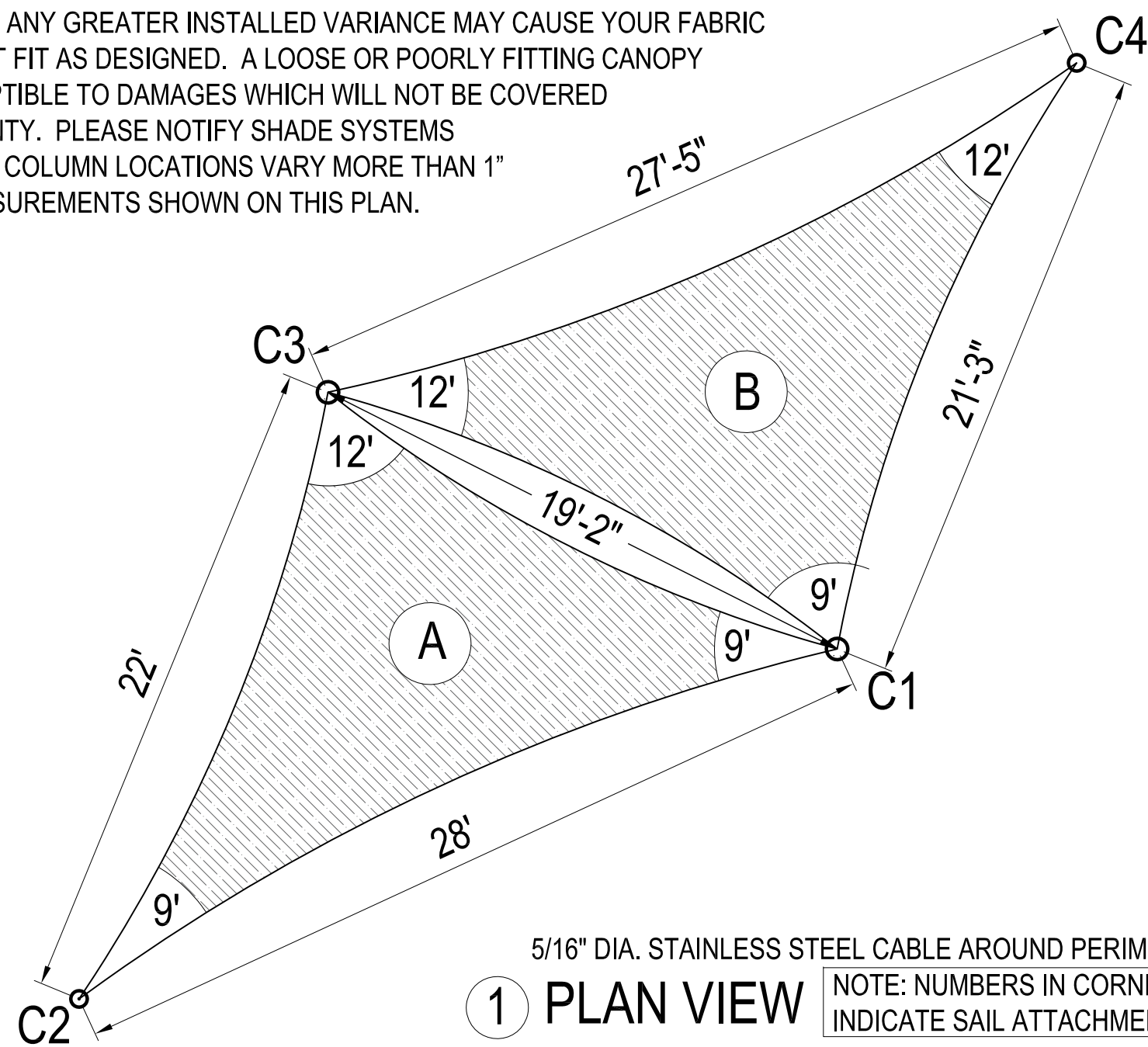


IMPORTANT - PLEASE NOTE:

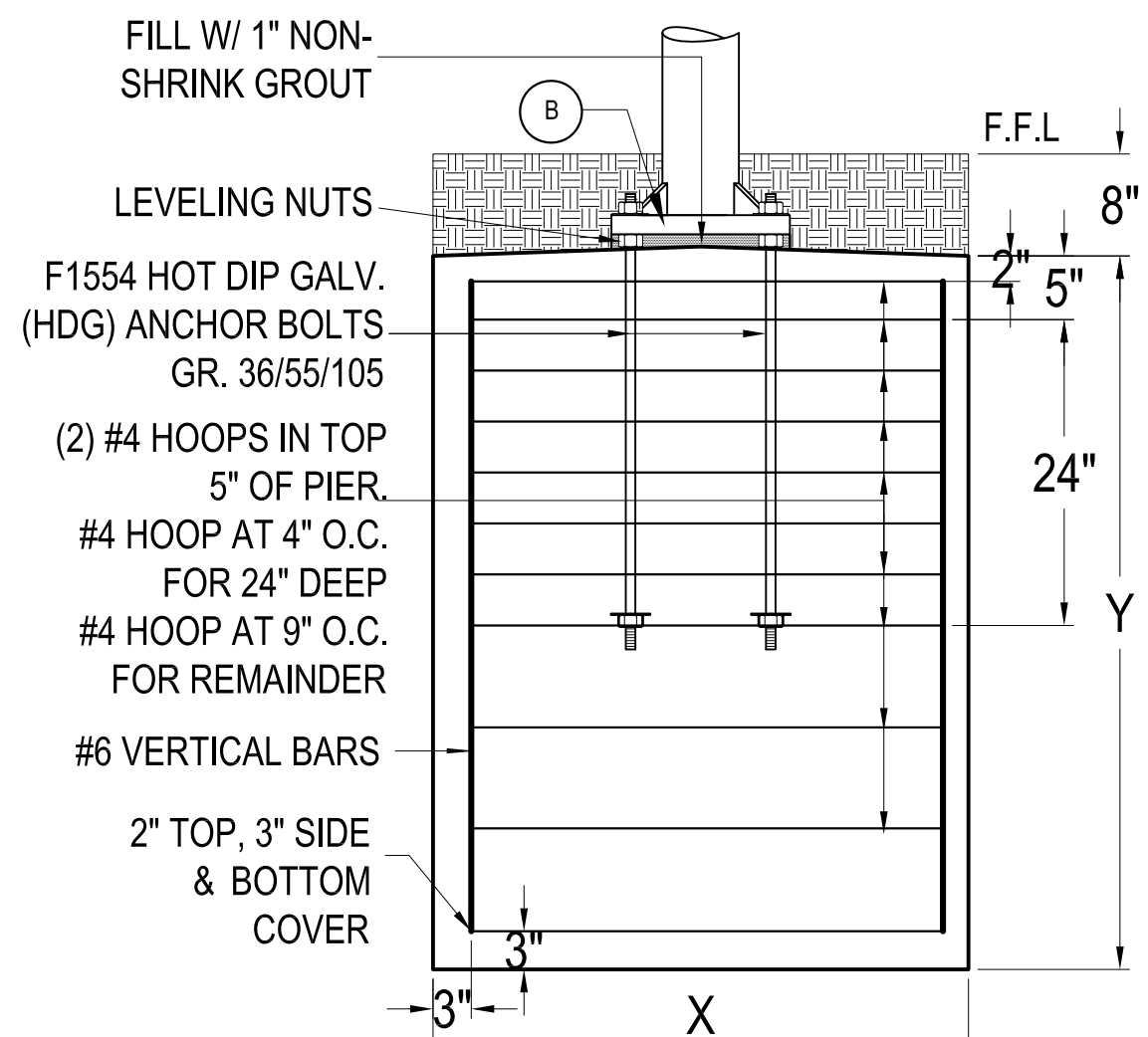
CENTER-TO-CENTER MEASUREMENTS FOR COLUMN LAYOUT ABOVE MUST BE MAINTAINED PRECISELY AS SHOWN. AS SAIL COLUMN LOCATIONS SHOWN ALLOW LESS THAN 1" OF TOLERANCE, ANY GREATER INSTALLED VARIANCE MAY CAUSE YOUR FABRIC CANOPY TO NOT FIT AS DESIGNED. A LOOSE OR POORLY FITTING CANOPY CAN BE SUSCEPTIBLE TO DAMAGES WHICH WILL NOT BE COVERED UNDER WARRANTY. PLEASE NOTIFY SHADE SYSTEMS IMMEDIATELY IF COLUMN LOCATIONS VARY MORE THAN 1" FROM THE MEASUREMENTS SHOWN ON THIS PLAN.



① PLAN VIEW

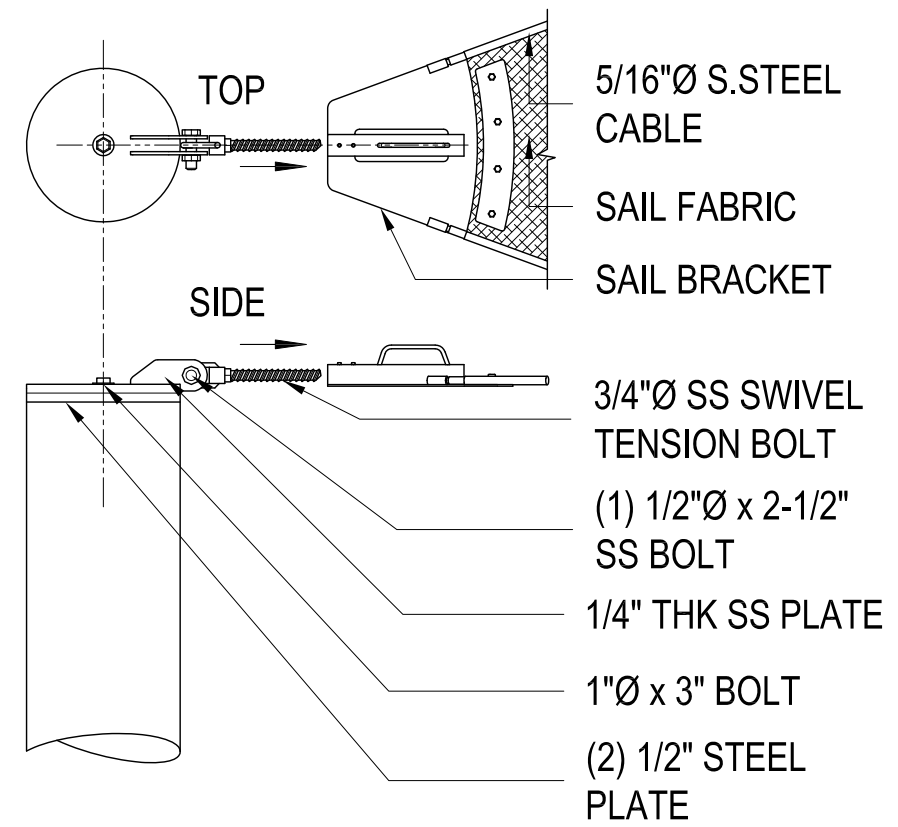
NOTE: NUMBERS IN CORNERS OF FABRIC INDICATE SAIL ATTACHMENT POINT HEIGHTS

	STEEL COLUMN	FOOTER		ANCHOR BOLT SIZE	ANCHOR BOLT LENGTH	NUMBER OF VERTICAL BARS
		X	Y			
C1-F1	8-5/8" DIA. X .322" WALL	36" Ø	97"	1-1/2"Ø	36"	12
C2-F2	6-5/8" DIA. X .280" WALL	36" Ø	80"	1-1/4"Ø	36"	12
C3-F3	8-5/8" DIA. X .322" WALL	36" Ø	106"	1-1/2"Ø	36"	12
C4-F4	8-5/8" DIA. X .322" WALL	36" Ø	92"	1-1/2"Ø	36"	12

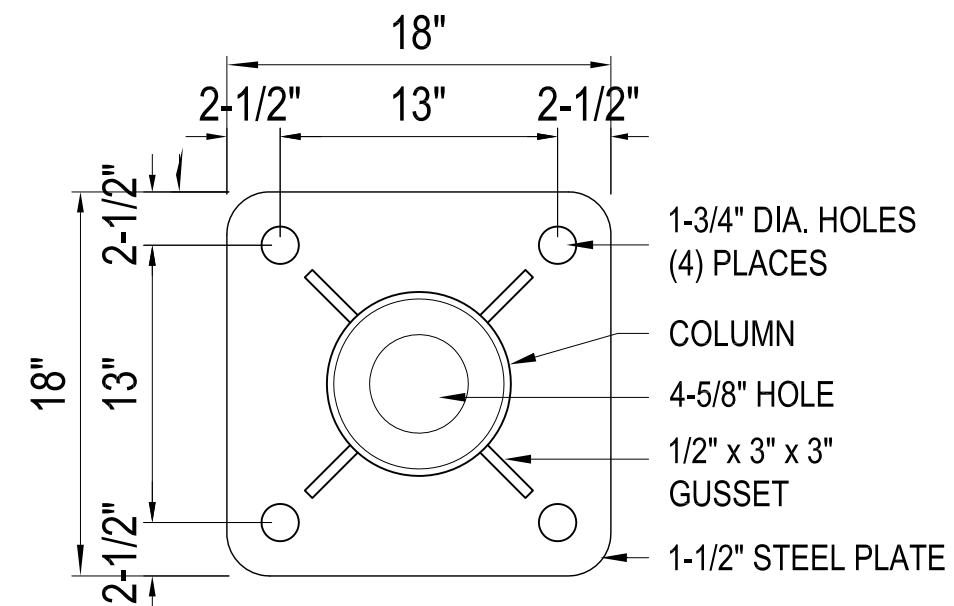


③ FOOTING DETAIL

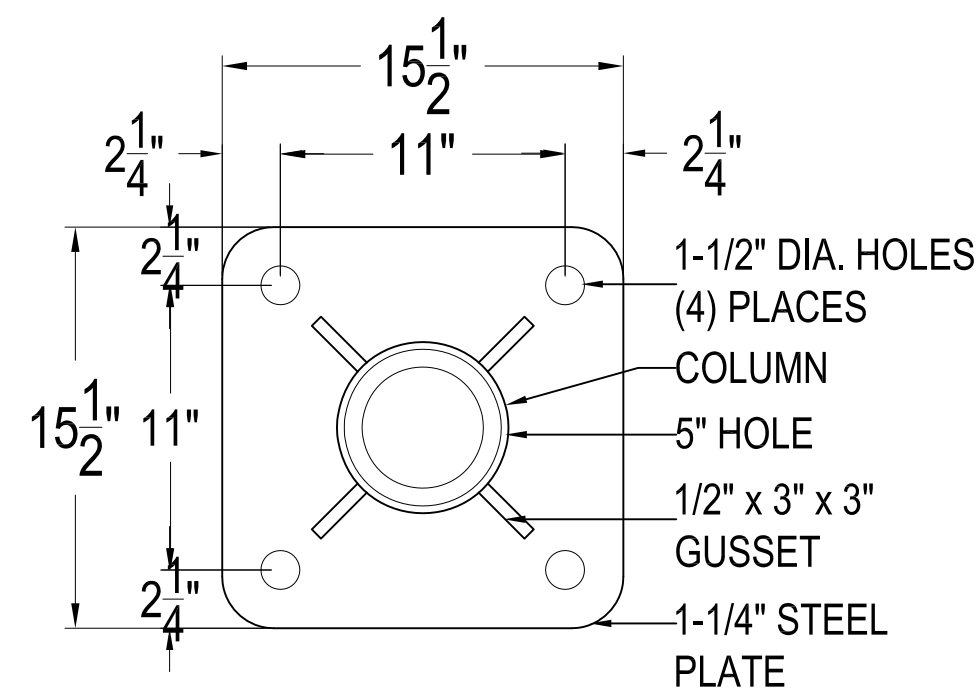
NOTE: GROUT, HOOPS, REBARS & ANCHOR BOLTS NOT SUPPLIED BY FACTORY



② SAIL TOP CORNER DETAIL



① BASE PLATE DETAIL
C1/C3/C4



② BASE PLATE DETAIL
C2

GENERAL NOTES

1- THE SHADE SYSTEMS, INC.™ STRUCTURE HAS BEEN DESIGNED IN ACCORDANCE WITH THE 2018 IBC CODES ALONG WITH ANY ADOPTED STATE BUILDING CODES AND ASCE 7-16 TO THE FOLLOWING DESIGN CRITERIA:

	STRUCTURE WITH FABRIC CANOPY REMOVED
CATEGORY	I
EXPOSURE	C
BASIC WIND SPEED	105 MPH

2- THE FOUNDATION ASSUMES SOIL CLASS MATERIAL 5, VERTICAL FOUNDATION PRESSURE 1500 PSF, LATERAL BEARING PRESSURE 100 PSF/FT. (PER IBC, TABLE 1806.2)

3- ALL FASTENERS SHALL BE STAINLESS STEEL.

4- ALL BOLTS MUST BE SNUG TIGHT. THE SNUG TIGHTENED CONDITION IS THE TIGHTNESS THAT IS ATTAINED WITH THE FULL EFFORT OF A TYPICAL WORKER USING AN ORDINARY SPUD WRENCH TO BRING THE PLIES INTO FIRM CONTACT. SNUG TIGHT IS THE CONDITION THAT EXISTS WHEN ALL THE PLIES IN A CONNECTION HAVE BEEN PULLED INTO FIRM CONTACT BY THE BOLTS IN THE JOINT AND ALL THE BOLTS IN THE JOINT HAVE BEEN TIGHTENED SUFFICIENTLY TO PREVENT THE REMOVAL OF THE NUTS WITHOUT THE USE OF A WRENCH.

5- FABRIC MAY NOT WITHSTAND WINDS IN EXCESS OF 90 MPH AND THEREFORE IT SHALL BE RELEASED.

STEEL:

1- GALV. STEEL TUBES MIN F_y=60KSI. STEEL ROUND PIPE SHALL BE ASTM A53 GRADE B. STEEL HSS ROUND AND HSS RECTANGULAR SHALL BE ASTM A500 GRADE B. STEEL PLATE SHALL CONFORM WITH ASTM A36.

2- ALL PARTS SHALL BE FACTORY-WELDED TO AMERICAN WELDING SOCIETY (AWS) SPECIFICATIONS AND SHALL UTILIZE E70-S6 AND HAVE THE HIGHEST STANDARDS OF QUALITY WORKMANSHIP.

3- ALL WELDS SHALL BE FILLET WELDS WITH MAXIMUM PERMISSIBLE THROAT THICKNESS OR FULL PENETRATION GROOVE WELDS.

CONCRETE:

1- ALL CONCRETE SHALL BE MIXED AND PLACED IN ACCORDANCE WITH THE LATEST EDITION OF ACI 301 AND 318.

2- CONCRETE SHALL HAVE A MINIMUM 28 DAY COMPRESSIVE STRENGTH (f_c) OF 3000 PSI. A CONCRETE MIX HAVING A LISTED STRENGTH OF AT LEAST 3000 PSI THAT IS MIXED IN ACCORDANCE WITH THE MANUFACTURER'S RECOMMENDATIONS IS ACCEPTABLE FOR USE.

3- REINFORCING STEEL SHALL BE ASTM A-615 GRADE 60 WITH A MINIMUM YIELD STRENGTH (f_y) OF 60 KSI.

4- UNLESS OTHERWISE SHOWN, CONCRETE COVER SHALL BE 3" (MIN).

THIS DOCUMENT AND ITS CONTENTS ARE THE PROPERTY OF SHADE SYSTEMS, INC., AND CANNOT BE MODIFIED, USED, OR RESOLD TO ANY PERSON OR ENTITY WITHOUT WRITTEN PERMISSION FROM SHADE SYSTEMS, INC. REPRODUCTION OF THESE PLANS, EITHER IN WHOLE OR IN PART, INCLUDING ANY FORM OF COPYING AND/OR PREPARATION OF DERIVATIVE WORKS THEREOF, FOR ANY REASON WITHOUT PRIOR WRITTEN PERMISSION FROM SHADE SYSTEMS, INC. IS STRICTLY PROHIBITED. © 2026 SHADE SYSTEMS INC.

NOTE TO OWNER:
OWNER ACCEPTS FULL RESPONSIBILITY FOR REMOVING THE FABRIC SHADE MATERIAL FROM THE STEEL FRAME WHEN SEVERE WEATHER CONDITIONS ARE PREDICTED. SUCH CONDITIONS INCLUDE PREDICTED WIND SPEEDS IN EXCESS OF 90 MPH. ALSO, AS STRUCTURE IS NOT DESIGNED FOR ANY SNOW LOAD, IT IS RECOMMENDED THAT CANOPY BE REMOVED WHEN SNOWFALL IS EXPECTED.

Shade systems

4150 S.W. 19 Street
Ocala, FL 34474
Tel.: 1-800-609-6066

STRUCTURAL CONSULTANT
YURIANTO YURIANTO, S.E., P.E.
S.E. in the State of IL, NV, MA, HI, OK.
5760 LEGACY DR. B3-333. PLANO, TX 75024
Yurianto@gmail.com

Ty Warner Park
700 Blackhawk Drive
Westmont, IL 60559

Approved:



By Yuri at 3:44:47 AM, 2/4/2026
License Expires: 11/30/2026

Model Name:

CUSTOM SAIL

Model No.:

SAIL

Revisions	

REP:

REP QTE. NO.

Q-16670

Approved: JRB	Job: 10305-1
Checked: MG	Drawn: NB
Date: 01/26/2026	Sheets: 1 OF 1
NOT TO SCALE	